

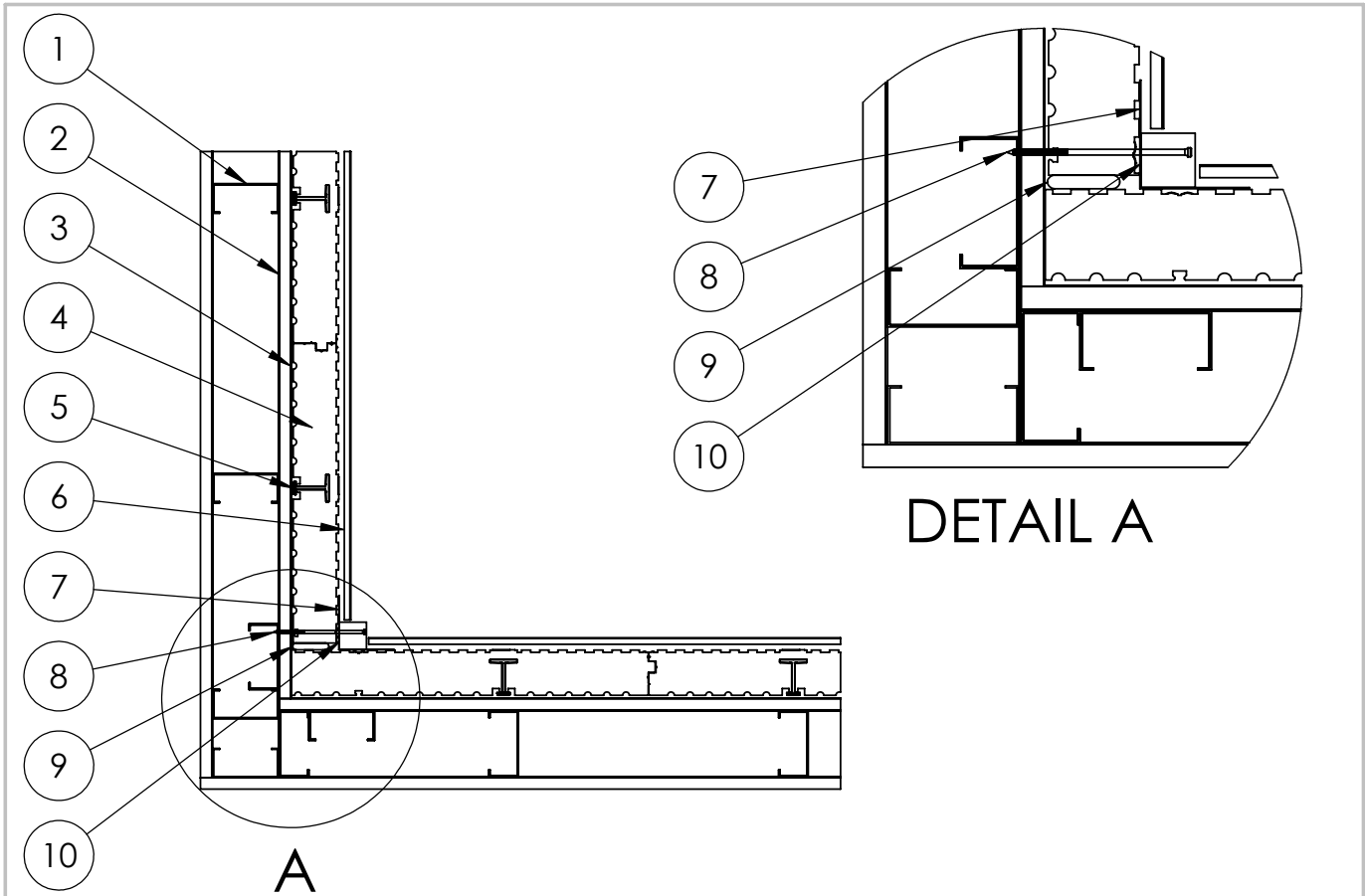
InSoFast EX 2.5 Corner with No Backing



InSoFast LLC Limits of Liability and Disclaimer of Warranty:

Because use conditions and applicable laws may differ from one location to another and may change with time, Customer is responsible for determining whether products and the information in this document are appropriate for use and are in compliance with applicable laws and other government enactments. InSoFast LLC assumes no obligation or liability for the information in this document. **NO WARRANTIES ARE GIVEN; ALL IMPLIED WARRANTIES OF MERCHANTABILITY OR FITNESS FOR A PARTICULAR PURPOSE ARE EXPRESSLY EXCLUDED. INSOFAST LLC SHALL NOT BE RESPONSIBLE FOR CONSEQUENTIAL, INDIRECT OR INCIDENTAL DAMAGES (INCLUDING LOSS OF PROFITS) OF ANY KIND.** InSoFast LLC reserves the right to make any changes according to technological progress or further developments and assumes no liability for providing such information and advice including the extent to which such information and advice may relate to existing third party intellectual property rights. Reference to trade names used by other companies is neither a recommendation, nor an endorsement of any product and does not imply that similar products could not be used. It is the responsibility of both the specifier and the purchaser to determine if a product is suitable for its intended use.

InSoFast EX 2.5 Inside Corner No Backing



#	Description
1	Framing
2	Sheathing
3	Weather Resistant Barrier (WRB)
4	InSoFast Panel
5	InSoFast Integrated Stud
6	Horizontal Siding
7	Optional Sheet Metal Corner Backer (20 - 25 ga)
8	Trim Head Screw
9	Sealant
10	2x Corner Backer

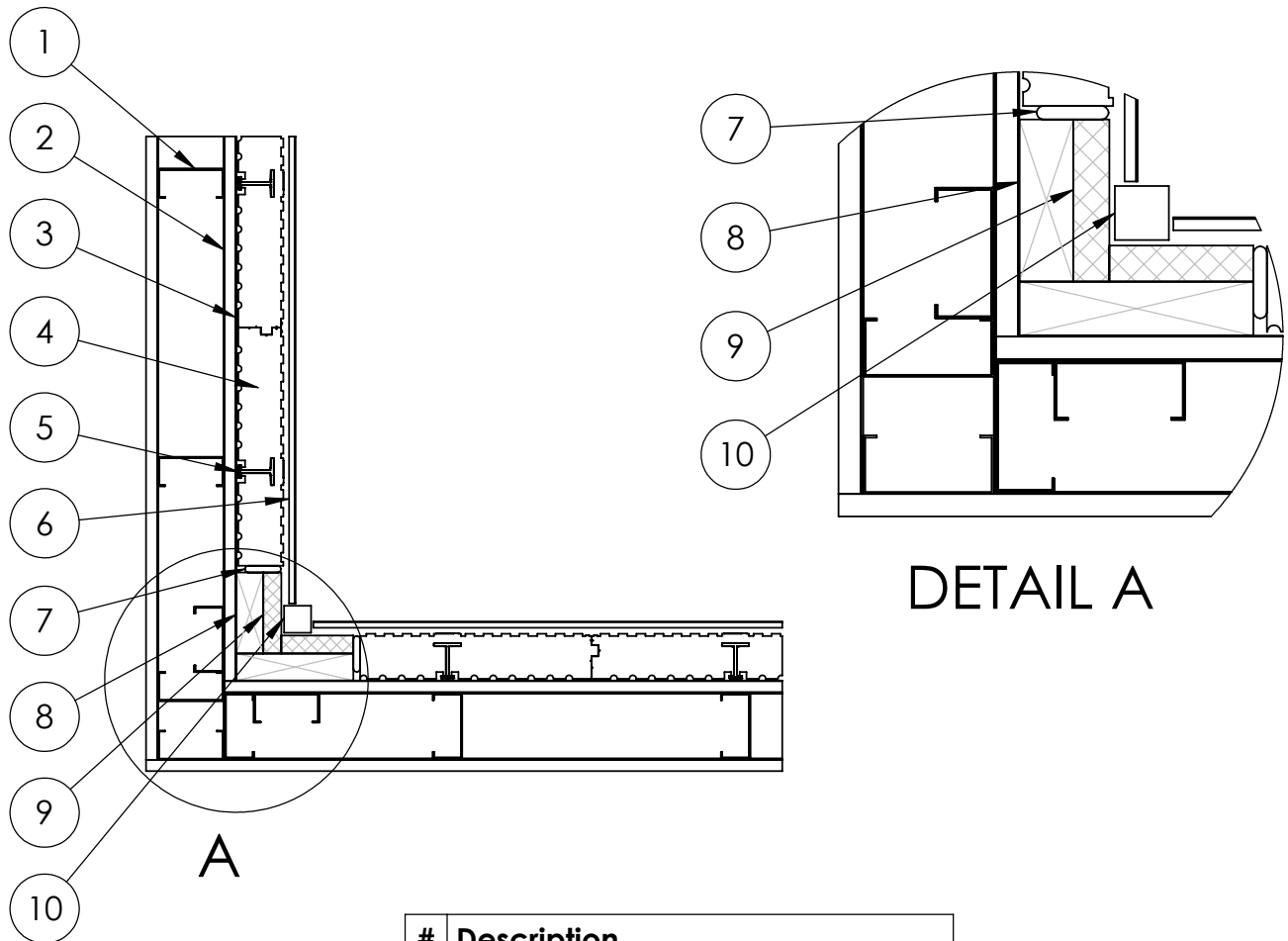
InSoFast LLC Limits of Liability and Disclaimer of Warranty: Because use conditions and applicable laws may differ from one location to another and may change with time, Customer is responsible for determining whether products and the information in this document are appropriate for use and are in compliance with applicable laws and other government enactments. InSoFast LLC assumes no obligation or liability for the information in this document. NO WARRANTIES ARE GIVEN; ALL IMPLIED WARRANTIES OF MERCHANTABILITY OR FITNESS FOR A PARTICULAR PURPOSE ARE EXPRESSLY EXCLUDED. INSOFast LLC SHALL NOT BE RESPONSIBLE FOR CONSEQUENTIAL, INDIRECT OR INCIDENTAL DAMAGES (INCLUDING LOSS OF PROFITS) OF ANY KIND. InSoFast LLC reserves the right to make any changes according to technological progress or further developments and assumes no liability for providing such information and advice including the extent to which such information and advice may relate to existing third party intellectual property rights. Reference to trade names used by other companies is neither a recommendation, nor an endorsement of any product and does not imply that similar products could not be used. It is the responsibility of both the specifier and the purchaser to determine if a product is suitable for its intended use.



Inside Corner No Backing
 888-501-7899 InSoFast, LLC www.InSoFast.com

Scale: not to scale
 Date: 4/22/2017
 Detail #: E-S-C-I-01

InSoFast EX 2.5 Inside Corner 2x Backing with 1" Foam



#	Description
1	Framing
2	Sheathing
3	Weather Resistant Barrier (WRB)
4	InSoFast Panel
5	InSoFast Intergrated Stud
6	Horizontal Siding
7	Sealant
8	2x Backer
9	1" Foam
10	Corner Post

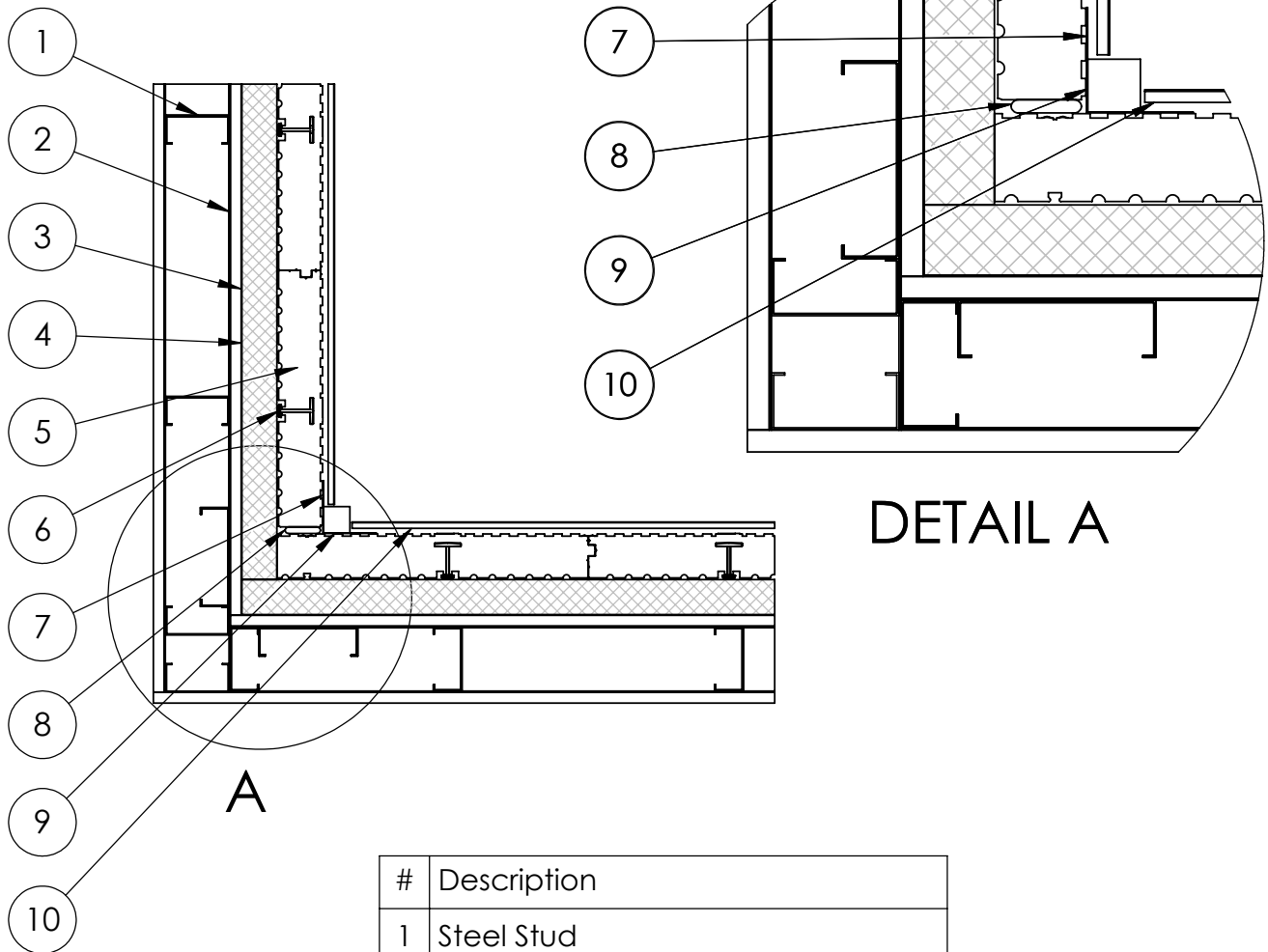
InSoFast LLC Limits of Liability and Disclaimer of Warranty: Because use conditions and applicable laws may differ from one location to another and may change with time, Customer is responsible for determining whether products and the information in this document are appropriate for use and are in compliance with applicable laws and other government enactments. InSoFast LLC assumes no obligation or liability for the information in this document. NO WARRANTIES ARE GIVEN; ALL IMPLIED WARRANTIES OF MERCHANTABILITY OR FITNESS FOR A PARTICULAR PURPOSE ARE EXPRESSLY EXCLUDED. INSOFast LLC SHALL NOT BE RESPONSIBLE FOR CONSEQUENTIAL, INDIRECT OR INCIDENTAL DAMAGES (INCLUDING LOSS OF PROFITS) OF ANY KIND. InSoFast LLC reserves the right to make any changes according to technological progress or further developments and assumes no liability for providing such information and advice including the extent to which such information and advice may relate to existing third party intellectual property rights. Reference to trade names used by other companies is neither a recommendation, nor an endorsement of any product and does not imply that similar products could not be used. It is the responsibility of both the specifier and the purchaser to determine if a product is suitable for its intended use.



Inside Corner 2x Backer With 1" Foam
 888-501-7899 InSoFast, LLC www.InSoFast.com

Scale: not to scale
 Date: 4/22/2017
 Detail #: E-S-H-C-I-04

InSoFast Plus Inside Corner No Backing



#	Description
1	Steel Stud
2	Sheathing
3	Weather Resistant Barrier (WRB)
4	2" Foam
5	InSoFast Panel
6	InSoFast Integrated Stud
7	Optional Metal Corner Backer
8	Sealant
9	2x Backer
10	Corner Post
11	Horizontal Siding

DUE TO VARIANCES IN LOCAL CODES, CONSTRUCTION PRACTICES, AND REQUIREMENTS, ALL DETAILS SHALL BE CONSTRUCTED IN ACCORDANCE WITH SUCH LOCAL CODES, CONSTRUCTION PRACTICES, AND REQUIREMENTS REGARDLESS OF DETAIL CONSTRUCTION SHOWN IN THIS DRAWING. INSOFAST, LLC MAKES NO WARRANTY, EXPRESSED OR IMPLIED. INSOFAST, LLC ASSUMES NO LEGAL LIABILITY OR RESPONSIBILITY FOR THE ACCURACY, COMPLETENESS, OR ANY INFORMATION APPRATUS, PRODUCT OR PROCESS DISCLOSED



InSoFast With Additional Sheet Foam No Backing
 888-501-7899 InSoFast, LLC www.InSoFast.com

Scale: not to scale
 Date: 8/16/2016
 Detail #: E-S-H-C-1-02