

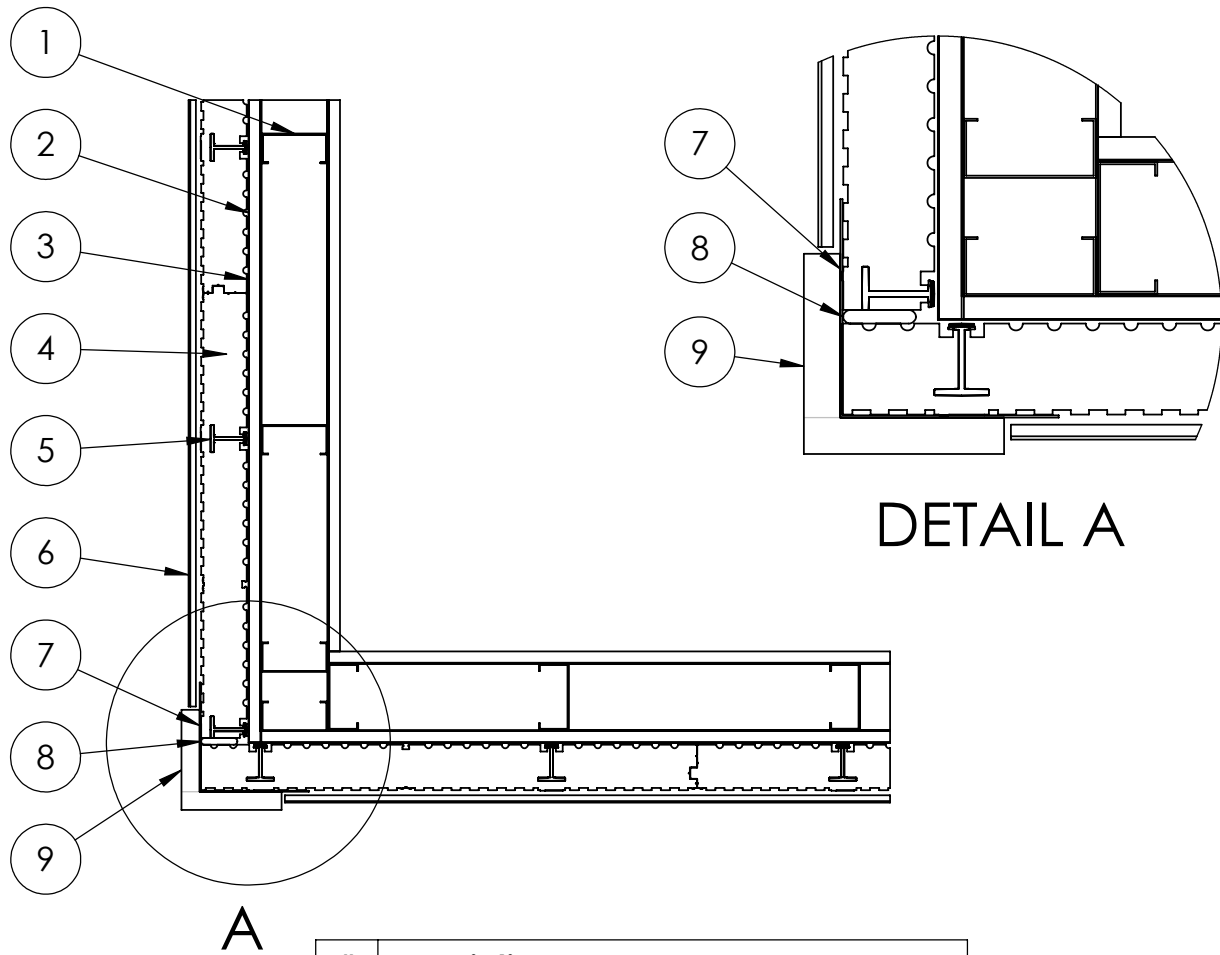
## InSoFast EX 2.5 Corner with Sheet Metal Backer



### InSoFast LLC Limits of Liability and Disclaimer of Warranty:

Because use conditions and applicable laws may differ from one location to another and may change with time, Customer is responsible for determining whether products and the information in this document are appropriate for use and are in compliance with applicable laws and other government enactments. InSoFast LLC assumes no obligation or liability for the information in this document. **NO WARRANTIES ARE GIVEN; ALL IMPLIED WARRANTIES OF MERCHANTABILITY OR FITNESS FOR A PARTICULAR PURPOSE ARE EXPRESSLY EXCLUDED. INSOFAST LLC SHALL NOT BE RESPONSIBLE FOR CONSEQUENTIAL, INDIRECT OR INCIDENTAL DAMAGES (INCLUDING LOSS OF PROFITS) OF ANY KIND.** InSoFast LLC reserves the right to make any changes according to technological progress or further developments and assumes no liability for providing such information and advice including the extent to which such information and advice may relate to existing third party intellectual property rights. Reference to trade names used by other companies is neither a recommendation, nor an endorsement of any product and does not imply that similar products could not be used. It is the responsibility of both the specifier and the purchaser to determine if a product is suitable for its intended use.

**InSoFast EX 2.5 Corner Sheet Metal Backer**



#	Description
1	Framing
2	Sheathing
3	Weather Resistant Barrier (WRB)
4	InSoFast Panel
5	InSoFast Integrated Stud
6	Horizontal Siding
7	Sheet Metal Corner Backer (20 - 25 ga)
8	Sealant
9	Corner Post

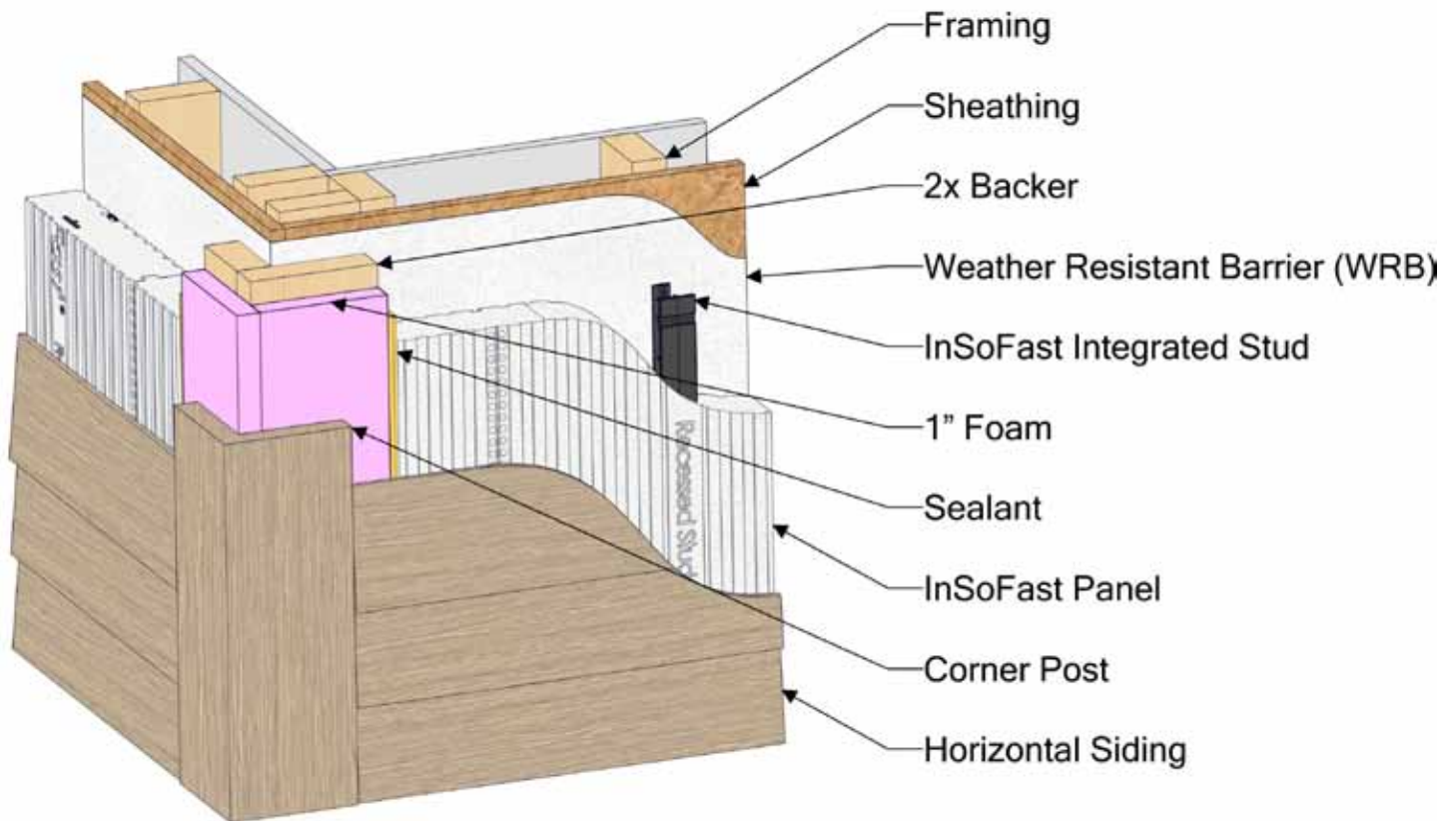
InSoFast LLC Limits of Liability and Disclaimer of Warranty: Because use conditions and applicable laws may differ from one location to another and may change with time, Customer is responsible for determining whether products and the information in this document are appropriate for use and are in compliance with applicable laws and other government enactments. InSoFast LLC assumes no obligation or liability for the information in this document. NO WARRANTIES ARE GIVEN; ALL IMPLIED WARRANTIES OF MERCHANTABILITY OR FITNESS FOR A PARTICULAR PURPOSE ARE EXPRESSLY EXCLUDED. INSOFAST LLC SHALL NOT BE RESPONSIBLE FOR CONSEQUENTIAL, INDIRECT OR INCIDENTAL DAMAGES (INCLUDING LOSS OF PROFITS) OF ANY KIND. InSoFast LLC reserves the right to make any changes according to technological progress or further developments and assumes no liability for providing such information and advice including the extent to which such information and advice may relate to existing third party intellectual property rights. Reference to trade names used by other companies is neither a recommendation, nor an endorsement of any product and does not imply that similar products could not be used. It is the responsibility of both the specifier and the purchaser to determine if a product is suitable for its intended use.



Sheet Metal Backer  
 888-501-7899 InSoFast, LLC www.InSoFast.com

Scale: not to scale  
 Date: 4/22/2017  
 Detail #: E-S-H-C-O-07

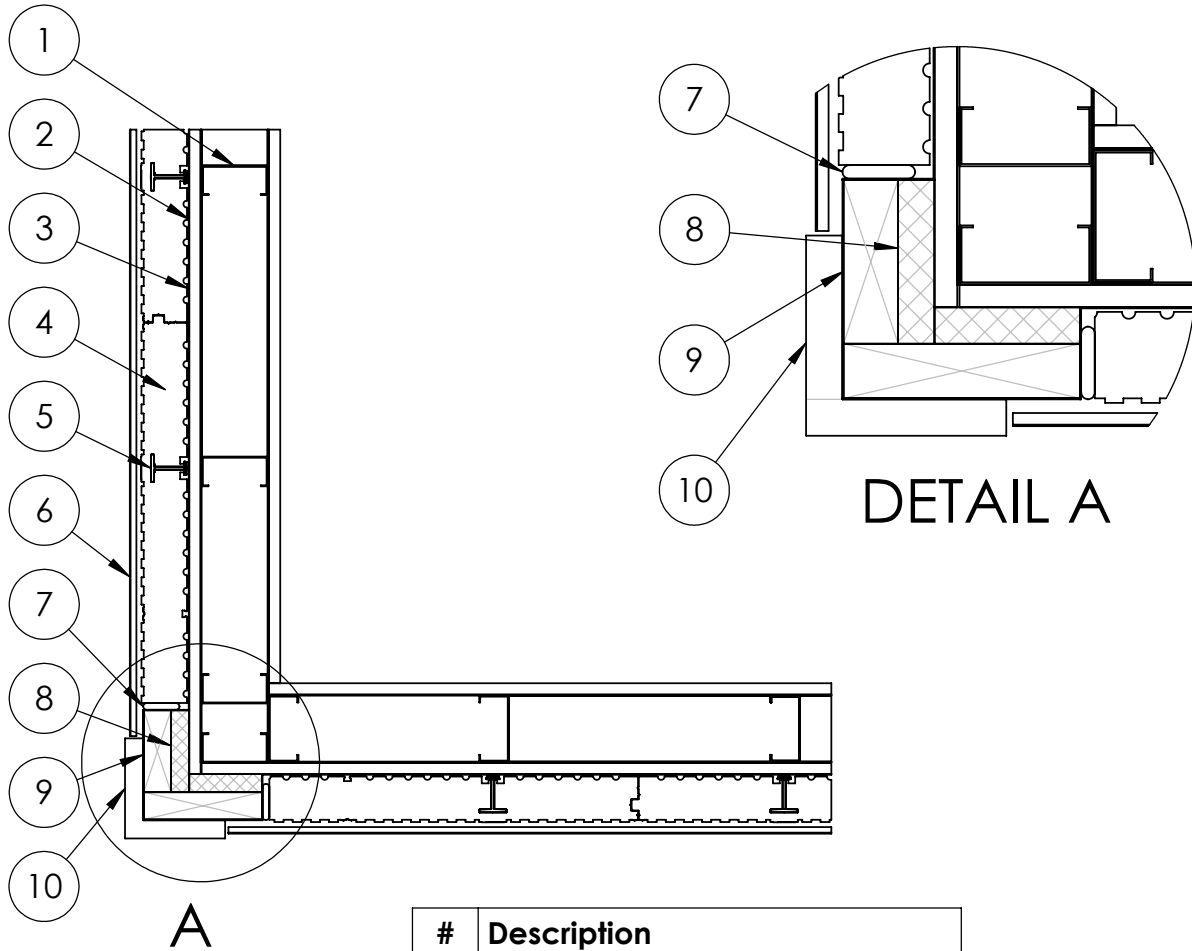
## InSoFast EX 2.5 Corner with Backing



### InSoFast LLC Limits of Liability and Disclaimer of Warranty:

Because use conditions and applicable laws may differ from one location to another and may change with time, Customer is responsible for determining whether products and the information in this document are appropriate for use and are in compliance with applicable laws and other government enactments. InSoFast LLC assumes no obligation or liability for the information in this document. **NO WARRANTIES ARE GIVEN; ALL IMPLIED WARRANTIES OF MERCHANTABILITY OR FITNESS FOR A PARTICULAR PURPOSE ARE EXPRESSLY EXCLUDED. INSOFAST LLC SHALL NOT BE RESPONSIBLE FOR CONSEQUENTIAL, INDIRECT OR INCIDENTAL DAMAGES (INCLUDING LOSS OF PROFITS) OF ANY KIND.** InSoFast LLC reserves the right to make any changes according to technological progress or further developments and assumes no liability for providing such information and advice including the extent to which such information and advice may relate to existing third party intellectual property rights. Reference to trade names used by other companies is neither a recommendation, nor an endorsement of any product and does not imply that similar products could not be used. It is the responsibility of both the specifier and the purchaser to determine if a product is suitable for its intended use.

**InSoFast EX 2.5 Corner Foam Under 2x Backer**



#	Description
1	Framing
2	Sheathing
3	Weather Resistant Barrier (WRB)
4	InSoFast Panel
5	InSoFast Integrated Stud
6	Horizontal Siding
7	Sealant
8	1" Foam
9	2x Backer
10	Corner Post

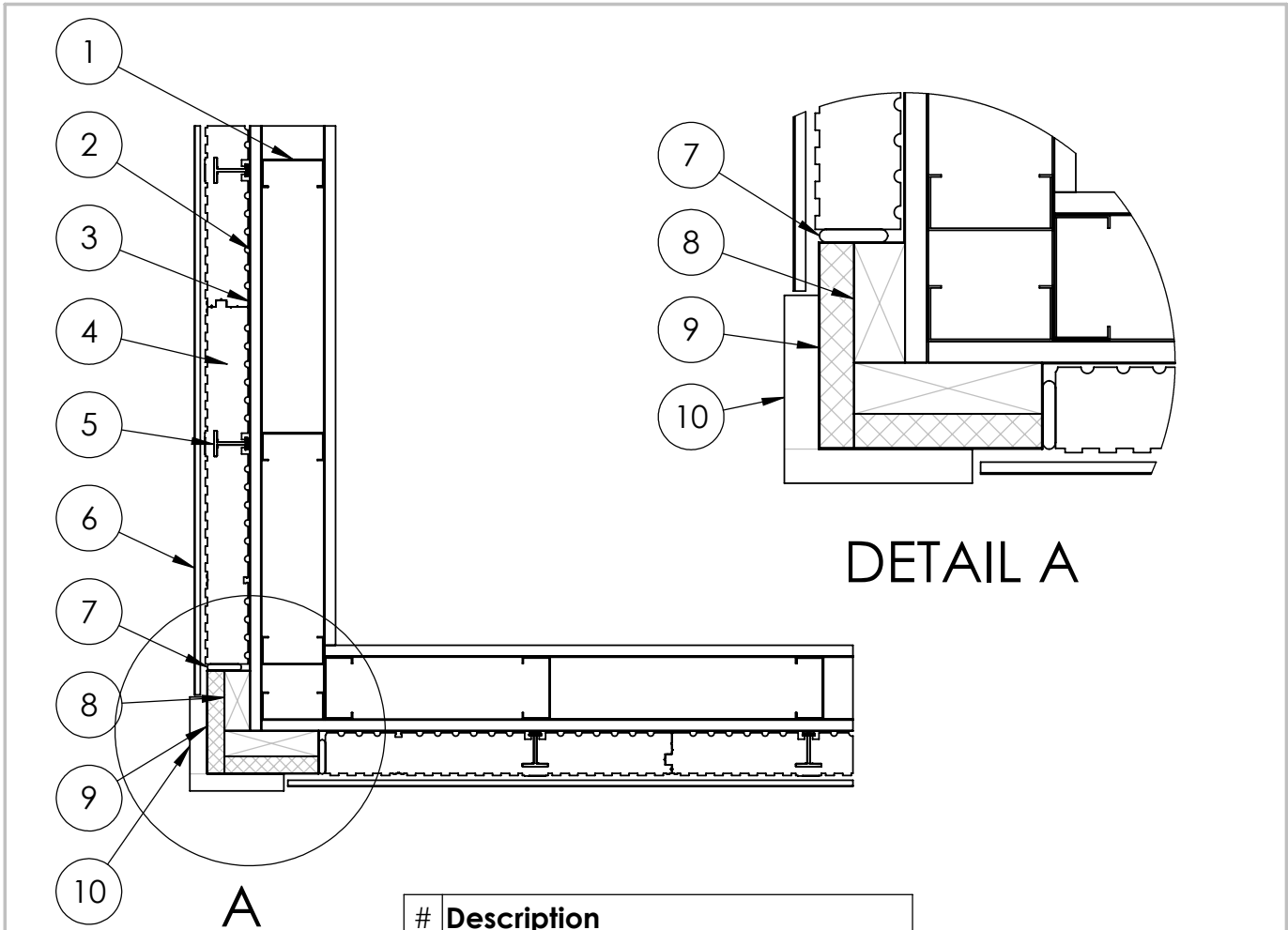
InSoFast LLC Limits of Liability and Disclaimer of Warranty: Because use conditions and applicable laws may differ from one location to another and may change with time, Customer is responsible for determining whether products and the information in this document are appropriate for use and are in compliance with applicable laws and other government enactments. InSoFast LLC assumes no obligation or liability for the information in this document. NO WARRANTIES ARE GIVEN; ALL IMPLIED WARRANTIES OF MERCHANTABILITY OR FITNESS FOR A PARTICULAR PURPOSE ARE EXPRESSLY EXCLUDED. INSOFAST LLC SHALL NOT BE RESPONSIBLE FOR CONSEQUENTIAL, INDIRECT OR INCIDENTAL DAMAGES (INCLUDING LOSS OF PROFITS) OF ANY KIND. InSoFast LLC reserves the right to make any changes according to technological progress or further developments and assumes no liability for providing such information and advice including the extent to which such information and advice may relate to existing third party intellectual property rights. Reference to trade names used by other companies is neither a recommendation, nor an endorsement of any product and does not imply that similar products could not be used. It is the responsibility of both the specifier and the purchaser to determine if a product is suitable for its intended use.



Foam Under 2x Backer  
 888-501-7899 InSoFast, LLC www.InSoFast.com

Scale: not to scale  
 Date: 4/22/2017  
 Detail #: E-S-H-C-O-02

**InSoFast EX 2.5 Corner Foam Over 2x Backer**



**DETAIL A**

#	Description
1	Framing
2	Sheathing
3	Weather Resistant Barrier (WRB)
4	InSoFast Panel
5	InSoFast Integrated Stud
6	Horizontal Siding
7	Sealant
8	2x Backer
9	1" Foam
10	Corner Post

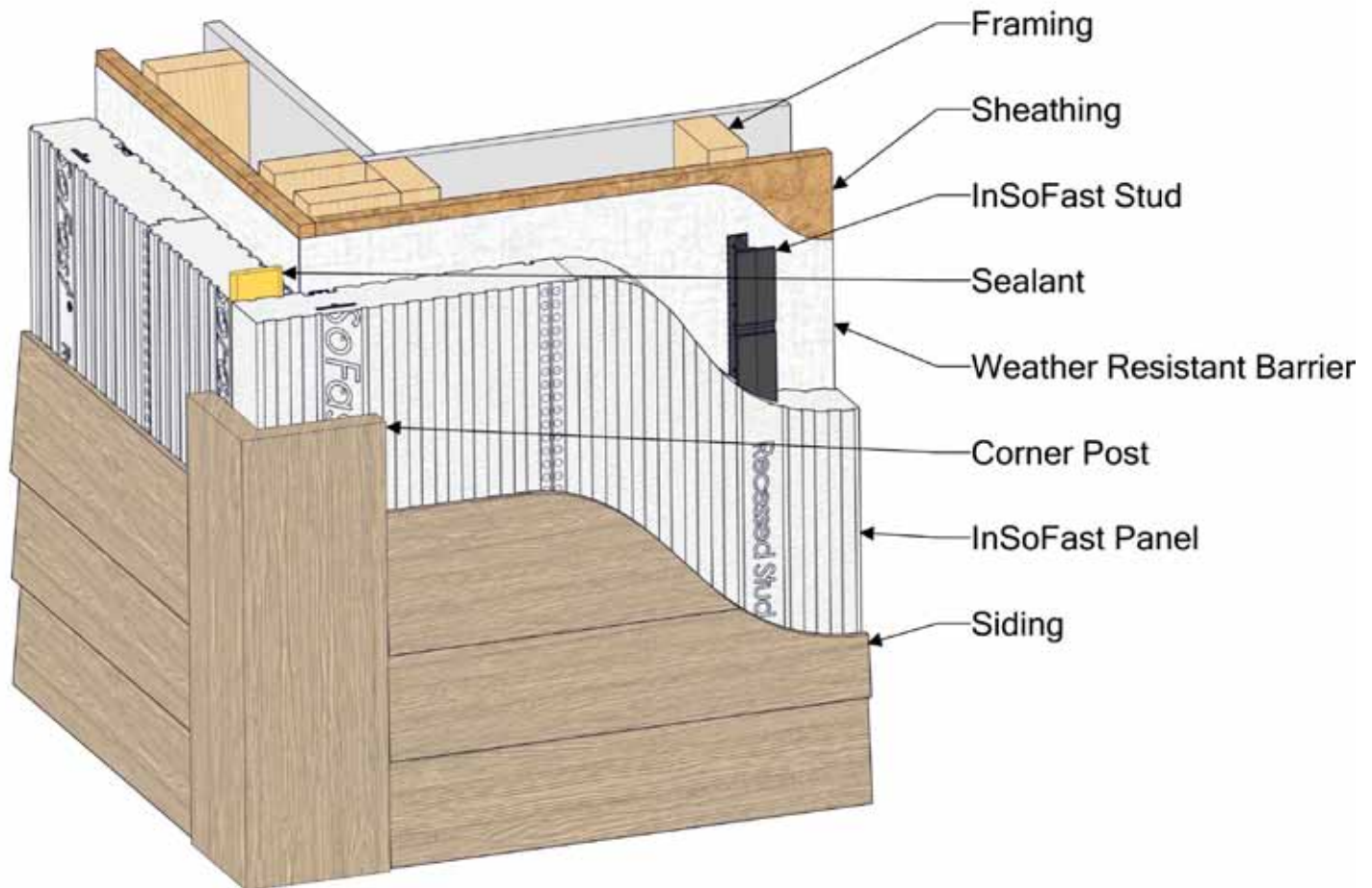
InSoFast LLC Limits of Liability and Disclaimer of Warranty: Because use conditions and applicable laws may differ from one location to another and may change with time, Customer is responsible for determining whether products and the information in this document are appropriate for use and are in compliance with applicable laws and other government enactments. InSoFast LLC assumes no obligation or liability for the information in this document. NO WARRANTIES ARE GIVEN; ALL IMPLIED WARRANTIES OF MERCHANTABILITY OR FITNESS FOR A PARTICULAR PURPOSE ARE EXPRESSLY EXCLUDED. INSOFAST LLC SHALL NOT BE RESPONSIBLE FOR CONSEQUENTIAL, INDIRECT OR INCIDENTAL DAMAGES (INCLUDING LOSS OF PROFITS) OF ANY KIND. InSoFast LLC reserves the right to make any changes according to technological progress or further developments and assumes no liability for providing such information and advice including the extent to which such information and advice may relate to existing third party intellectual property rights. Reference to trade names used by other companies is neither a recommendation, nor an endorsement of any product and does not imply that similar products could not be used. It is the responsibility of both the specifier and the purchaser to determine if a product is suitable for its intended use.



Foam Over 2x Backer  
 888-501-7899 InSoFast, LLC www.InSoFast.com

Scale: not to scale  
 Date: 4/22/2017  
 Detail #: E-S-H-C-O-01

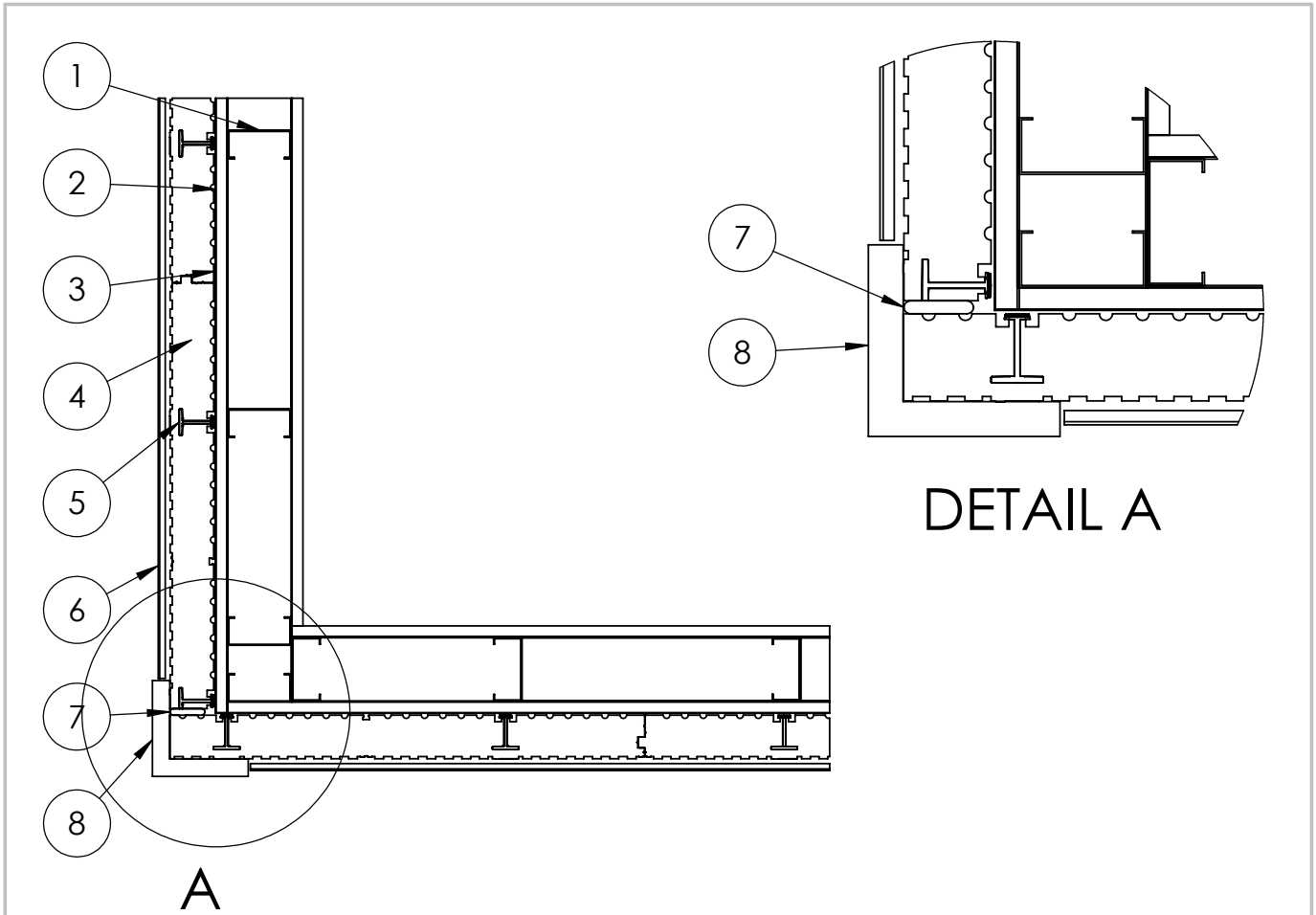
c



#### InSoFast LLC Limits of Liability and Disclaimer of Warranty:


Because use conditions and applicable laws may differ from one location to another and may change with time, Customer is responsible for determining whether products and the information in this document are appropriate for use and are in compliance with applicable laws and other government enactments. InSoFast LLC assumes no obligation or liability for the information in this document. **NO WARRANTIES ARE GIVEN; ALL IMPLIED WARRANTIES OF MERCHANTABILITY OR FITNESS FOR A PARTICULAR PURPOSE ARE EXPRESSLY EXCLUDED. INSOFAST LLC SHALL NOT BE RESPONSIBLE FOR CONSEQUENTIAL, INDIRECT OR INCIDENTAL DAMAGES (INCLUDING LOSS OF PROFITS) OF ANY KIND.** InSoFast LLC reserves the right to make any changes according to technological progress or further developments and assumes no liability for providing such information and advice including the extent to which such information and advice may relate to existing third party intellectual property rights. Reference to trade names used by other companies is neither a recommendation, nor an endorsement of any product and does not imply that similar products could not be used. It is the responsibility of both the specifier and the purchaser to determine if a product is suitable for its intended use.

**InSoFast EX 2.5 Corner with No Backing**

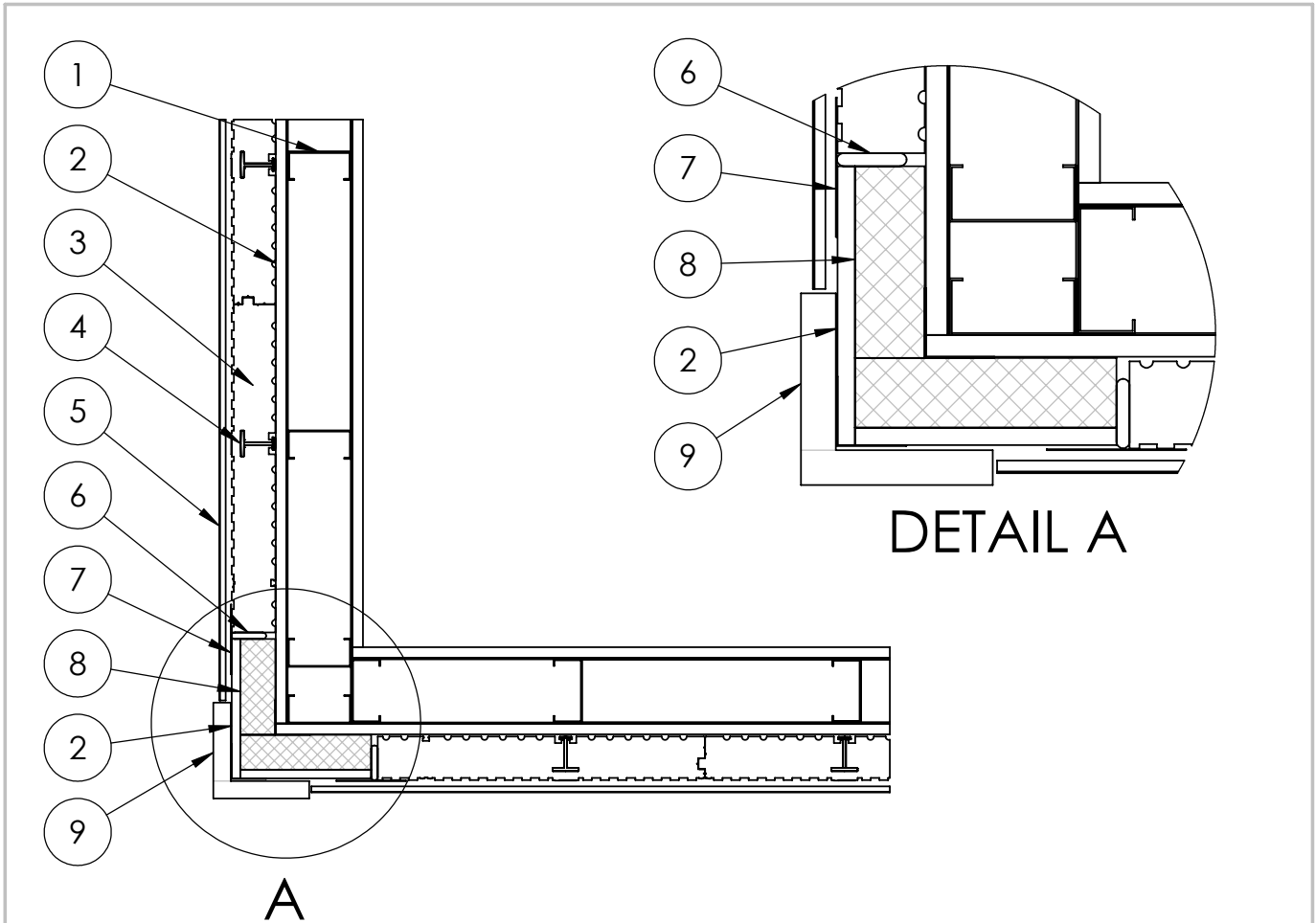


#	Description
1	Framing
2	Sheathing
3	Weather Resistant Barrier (WRB)
4	InSoFast Panel
5	InSoFast Integrated Stud
6	Horizontal Siding
7	Sealant
8	Corner Post

InSoFast LLC Limits of Liability and Disclaimer of Warranty: Because use conditions and applicable laws may differ from one location to another and may change with time, Customer is responsible for determining whether products and the information in this document are appropriate for use and are in compliance with applicable laws and other government enactments. InSoFast LLC assumes no obligation or liability for the information in this document. NO WARRANTIES ARE GIVEN; ALL IMPLIED WARRANTIES OF MERCHANTABILITY OR FITNESS FOR A PARTICULAR PURPOSE ARE EXPRESSLY EXCLUDED. INSOFAST LLC SHALL NOT BE RESPONSIBLE FOR CONSEQUENTIAL, INDIRECT OR INCIDENTAL DAMAGES (INCLUDING LOSS OF PROFITS) OF ANY KIND. InSoFast LLC reserves the right to make any changes according to technological progress or further developments and assumes no liability for providing such information and advice including the extent to which such information and advice may relate to existing third party intellectual property rights. Reference to trade names used by other companies is neither a recommendation, nor an endorsement of any product and does not imply that similar products could not be used. It is the responsibility of both the specifier and the purchaser to determine if a product is suitable for its intended use.

 <b>InSoFast.</b>	InSoFast No Backing	Scale: not to scale
	888-501-7899 InSoFast, LLC www.InSoFast.com	Date: 4/22/2017
		Detail #: E-S-H-C-O-03

**InSoFast EX 2.5 Corner with Zip Wall Backer Over Foam Board**



#	Description
1	Framing
2	Zip Wall (WRB)
3	InSoFast Panel
4	InSoFast Integrated Stud
5	Horizontal Siding
6	Sealant
7	Zip Wall Tape
8	2" Foam
9	Corner Post

InSoFast LLC Limits of Liability and Disclaimer of Warranty: Because use conditions and applicable laws may differ from one location to another and may change with time, Customer is responsible for determining whether products and the information in this document are appropriate for use and are in compliance with applicable laws and other government enactments. InSoFast LLC assumes no obligation or liability for the information in this document. NO WARRANTIES ARE GIVEN; ALL IMPLIED WARRANTIES OF MERCHANTABILITY OR FITNESS FOR A PARTICULAR PURPOSE ARE EXPRESSLY EXCLUDED. INSOFAST LLC SHALL NOT BE RESPONSIBLE FOR CONSEQUENTIAL, INDIRECT OR INCIDENTAL DAMAGES (INCLUDING LOSS OF PROFITS) OF ANY KIND. InSoFast LLC reserves the right to make any changes according to technological progress or further developments and assumes no liability for providing such information and advice including the extent to which such information and advice may relate to existing third party intellectual property rights. Reference to trade names used by other companies is neither a recommendation, nor an endorsement of any product and does not imply that similar products could not be used. It is the responsibility of both the specifier and the purchaser to determine if a product is suitable for its intended use.

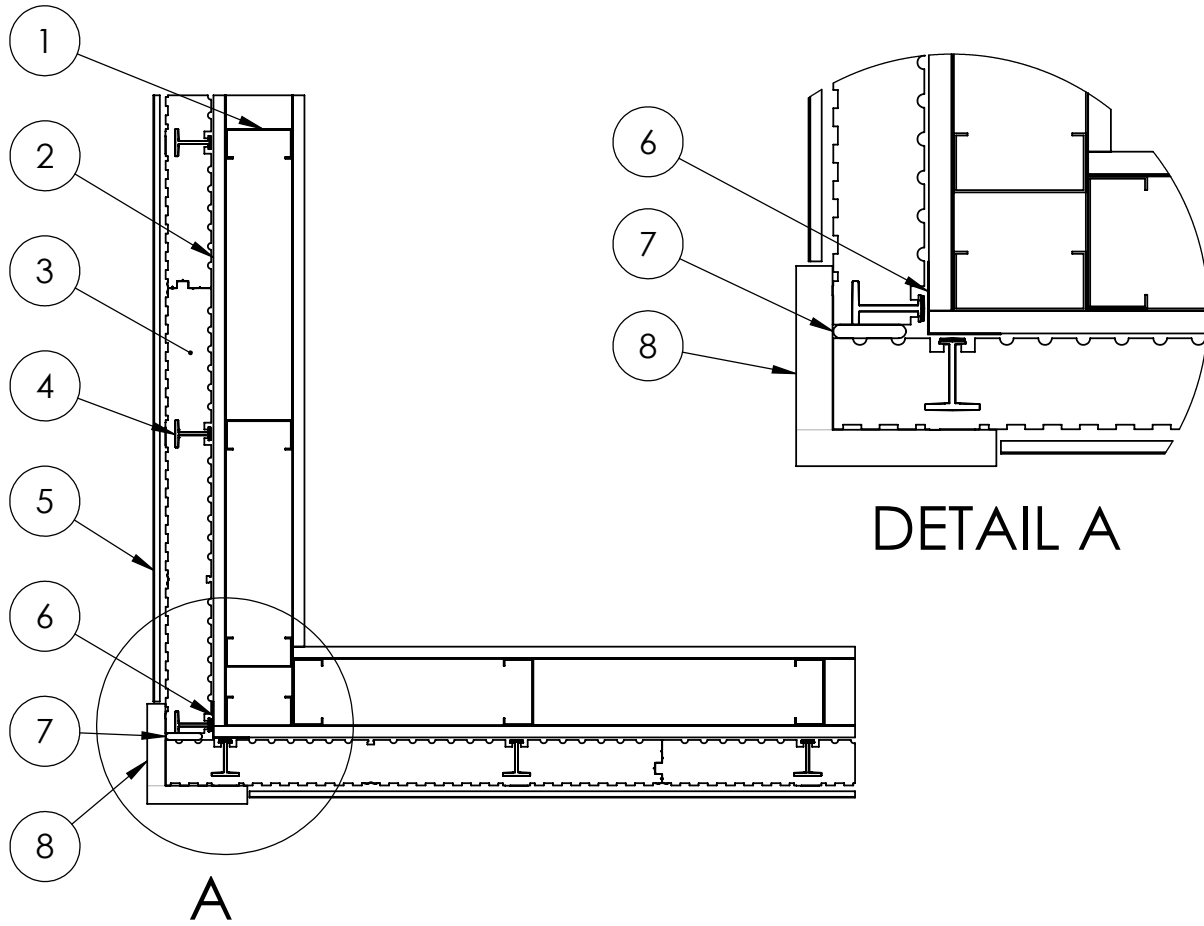


Zip Wall Backer Over Foam Board  
 888-501-7899 InSoFast, LLC www.InSoFast.com

Scale: not to scale  
 Date: 4/22/2017  
 Detail #: E-S-H-C-O-04



**InSoFast EX 2.5 Corner with Zip Wall No Backer**



#	Description
1	Framing
2	Zip Wall (WRB)
3	InSoFast Panel
4	InSoFast Integrated Stud
5	Horizontal Siding
6	Zip Wall Tape
7	Sealant
8	Corner Post

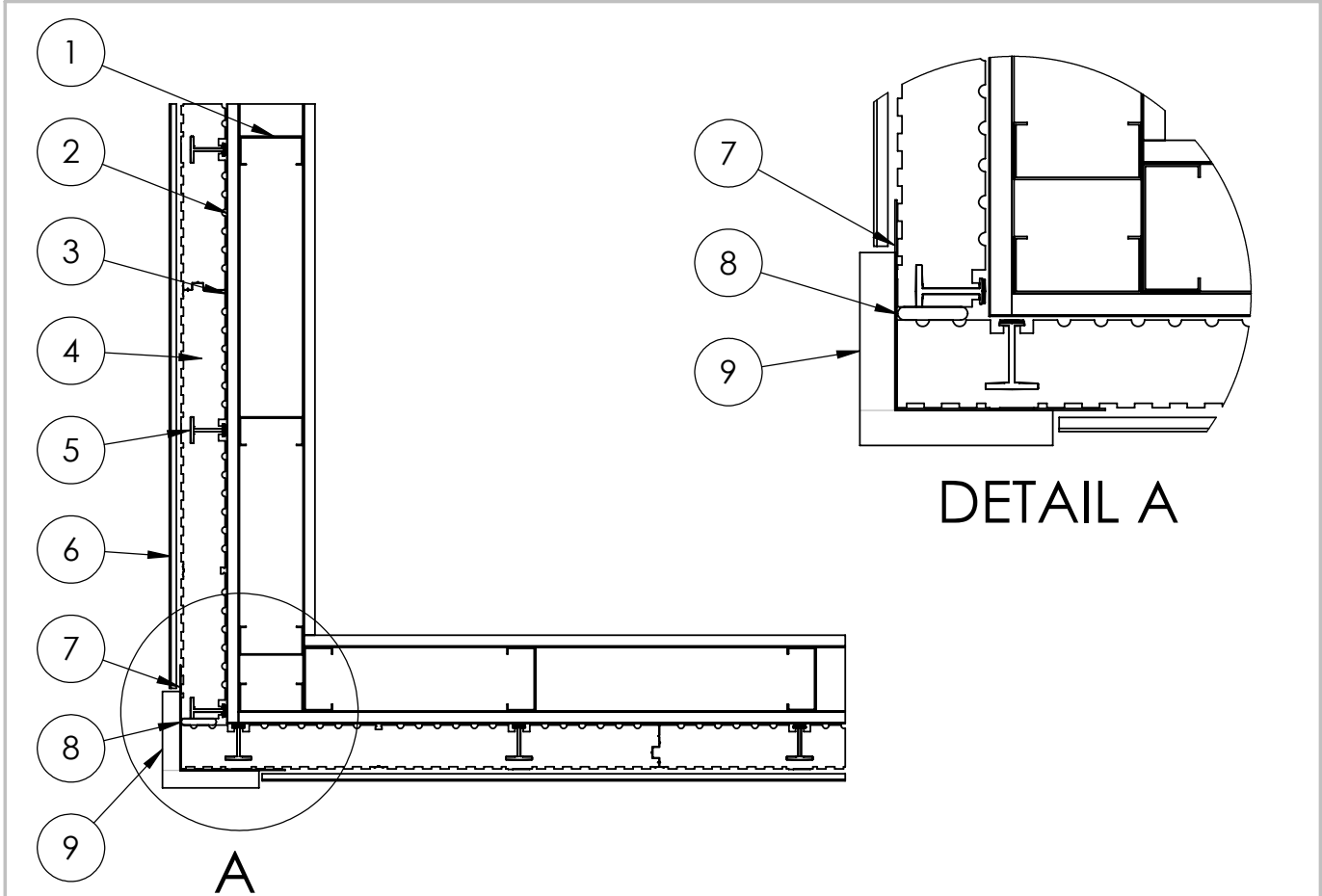
InSoFast LLC Limits of Liability and Disclaimer of Warranty: Because use conditions and applicable laws may differ from one location to another and may change with time, Customer is responsible for determining whether products and the information in this document are appropriate for use and are in compliance with applicable laws and other government enactments. InSoFast LLC assumes no obligation or liability for the information in this document. NO WARRANTIES ARE GIVEN; ALL IMPLIED WARRANTIES OF MERCHANTABILITY OR FITNESS FOR A PARTICULAR PURPOSE ARE EXPRESSLY EXCLUDED. INSOFast LLC SHALL NOT BE RESPONSIBLE FOR CONSEQUENTIAL, INDIRECT OR INCIDENTAL DAMAGES (INCLUDING LOSS OF PROFITS) OF ANY KIND. InSoFast LLC reserves the right to make any changes according to technological progress or further developments and assumes no liability for providing such information and advice including the extent to which such information and advice may relate to existing third party intellectual property rights. Reference to trade names used by other companies is neither a recommendation, nor an endorsement of any product and does not imply that similar products could not be used. It is the responsibility of both the specifier and the purchaser to determine if a product is suitable for its intended use.



Zip Wall No Backer  
 888-501-7899 InSoFast, LLC www.InSoFast.com

Scale: not to scale  
 Date: 4/22/2017  
 Detail #: E-S-H-C-O-06

### InSoFast EX 2.5 Corner Sheet Metal Strapping Backer



#	Description
1	Framing
2	Sheathing
3	Weather Resistant Barrier (WRB)
4	InSoFast Panel
5	InSoFast Integrated Stud
6	Horizontal Siding
7	Sheet Metal Corner Strapping (20 - 25 ga)
8	Sealant
9	Corner Post

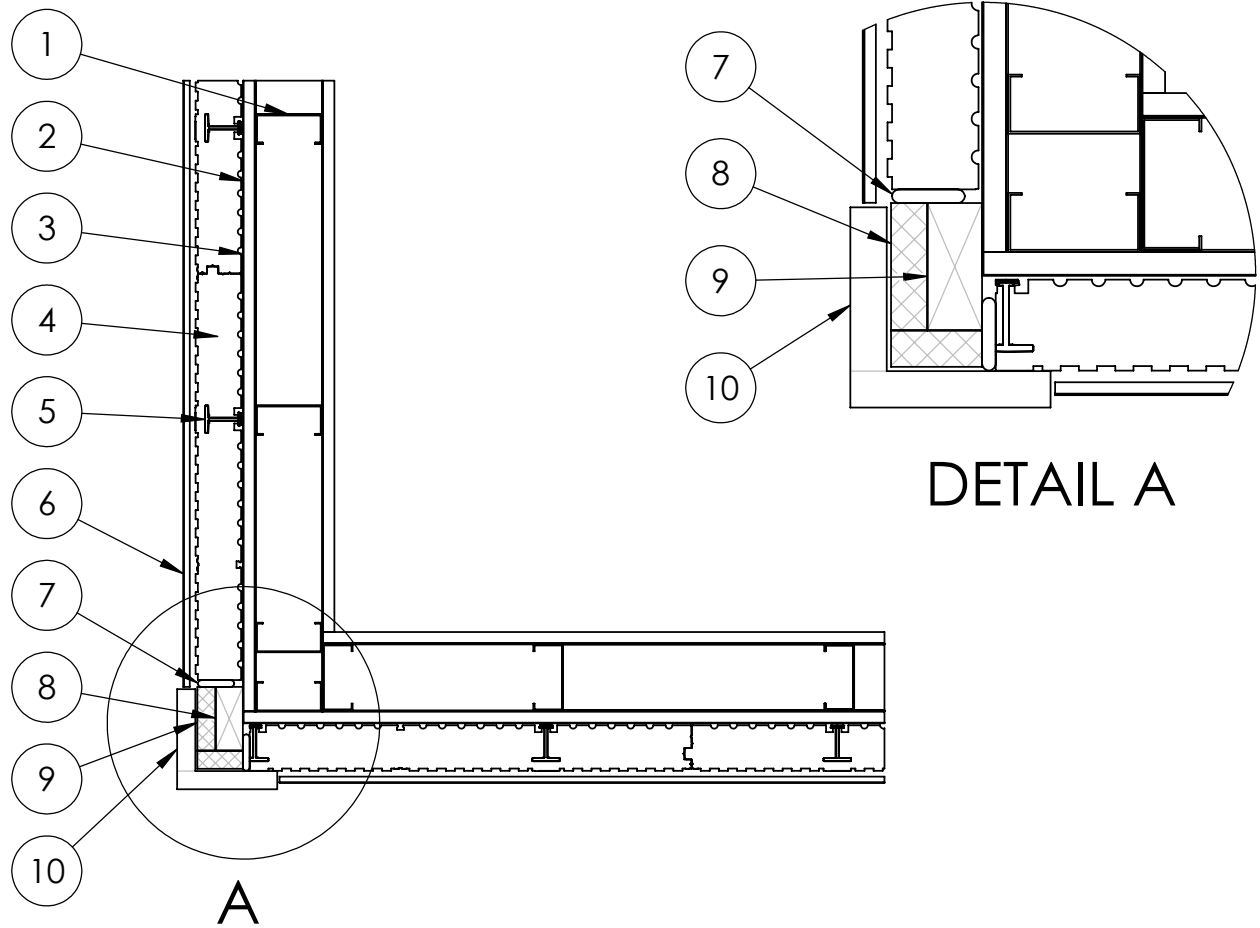
InSoFast LLC Limits of Liability and Disclaimer of Warranty: Because use conditions and applicable laws may differ from one location to another and may change with time, Customer is responsible for determining whether products and the information in this document are appropriate for use and are in compliance with applicable laws and other government enactments. InSoFast LLC assumes no obligation or liability for the information in this document. NO WARRANTIES ARE GIVEN; ALL IMPLIED WARRANTIES OF MERCHANTABILITY OR FITNESS FOR A PARTICULAR PURPOSE ARE EXPRESSLY EXCLUDED. INSOFAST LLC SHALL NOT BE RESPONSIBLE FOR CONSEQUENTIAL, INDIRECT OR INCIDENTAL DAMAGES (INCLUDING LOSS OF PROFITS) OF ANY KIND. InSoFast LLC reserves the right to make any changes according to technological progress or further developments and assumes no liability for providing such information and advice including the extent to which such information and advice may relate to existing third party intellectual property rights. Reference to trade names used by other companies is neither a recommendation, nor an endorsement of any product and does not imply that similar products could not be used. It is the responsibility of both the specifier and the purchaser to determine if a product is suitable for its intended use.



Sheet Metal Strapping Backer  
 888-501-7899 InSoFast, LLC www.InSoFast.com

Scale: not to scale  
 Date: 4/22/2017  
 Detail #: E-S-H-C-O-08

**InSoFast EX 2.5 Corner Foam Over Backer Stud**



**DETAIL A**

#	Description
1	Framing
2	Sheathing
3	Weather Resistant Barrier (WRB)
4	InSoFast Panel
5	InSoFast Integrated Stud
6	Horizontal Siding
7	Sealant
8	2x Backer
9	1" Foam
10	Corner Post

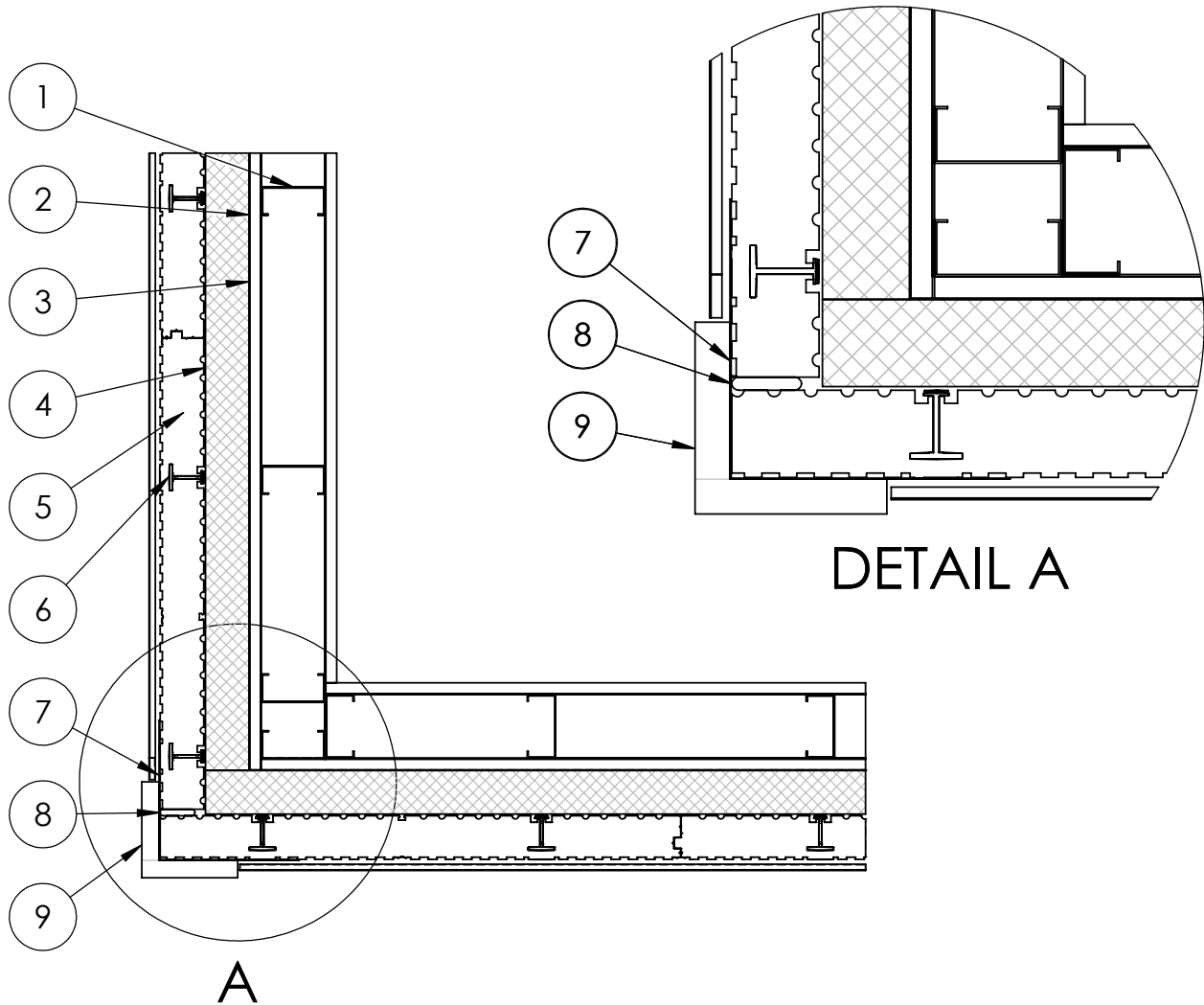
InSoFast LLC Limits of Liability and Disclaimer of Warranty: Because use conditions and applicable laws may differ from one location to another and may change with time, Customer is responsible for determining whether products and the information in this document are appropriate for use and are in compliance with applicable laws and other government enactments. InSoFast LLC assumes no obligation or liability for the information in this document. NO WARRANTIES ARE GIVEN; ALL IMPLIED WARRANTIES OF MERCHANTABILITY OR FITNESS FOR A PARTICULAR PURPOSE ARE EXPRESSLY EXCLUDED. INSOFast LLC SHALL NOT BE RESPONSIBLE FOR CONSEQUENTIAL, INDIRECT OR INCIDENTAL DAMAGES (INCLUDING LOSS OF PROFITS) OF ANY KIND. InSoFast LLC reserves the right to make any changes according to technological progress or further developments and assumes no liability for providing such information and advice including the extent to which such information and advice may relate to existing third party intellectual property rights. Reference to trade names used by other companies is neither a recommendation, nor an endorsement of any product and does not imply that similar products could not be used. It is the responsibility of both the specifier and the purchaser to determine if a product is suitable for its intended use.



Foam Over Backer Stud  
 888-501-7899 InSoFast, LLC www.InSoFast.com

Scale: not to scale  
 Date: 4/22/2017  
 Detail #: E-S-H-C-O-05

**InSoFast Plus Outside Corner No Backer**



#	Description
1	Steel Stud
2	Sheathing
3	Weather Resistant Barrier (WRB)
4	2" Foam
5	InSoFast Panel
6	InSoFast Integrated Stud
7	Metal Corner Strapping
8	Sealant
9	Corner Post

DUE TO VARIANCES IN LOCAL CODES, CONSTRUCTION PRACTICES, AND REQUIREMENTS, ALL DETAILS SHALL BE CONSTRUCTED IN ACCORDANCE WITH SUCH LOCAL CODES, CONSTRUCTION PRACTICES, AND REQUIREMENTS REGARDLESS OF DETAIL CONSTRUCTION SHOWN IN THIS DRAWING. INSOFAST, LLC MAKES NO WARRANTY, EXPRESSED OR IMPLIED. INSOFAST, LLC ASSUMES NO LEGAL LIABILITY OR RESPONSIBILITY FOR THE ACCURACY, COMPLETENESS, OR ANY INFORMATION APPRATUS, PRODUCT OR PROCESS DISCLOSED



InSoFast Over Additional Sheet Foam No Backer

888-501-7899 InSoFast, LLC www.InSoFast.com

Scale: not to scale

Date: 8/23/2016

Detail #: E-S-H-C-O-09