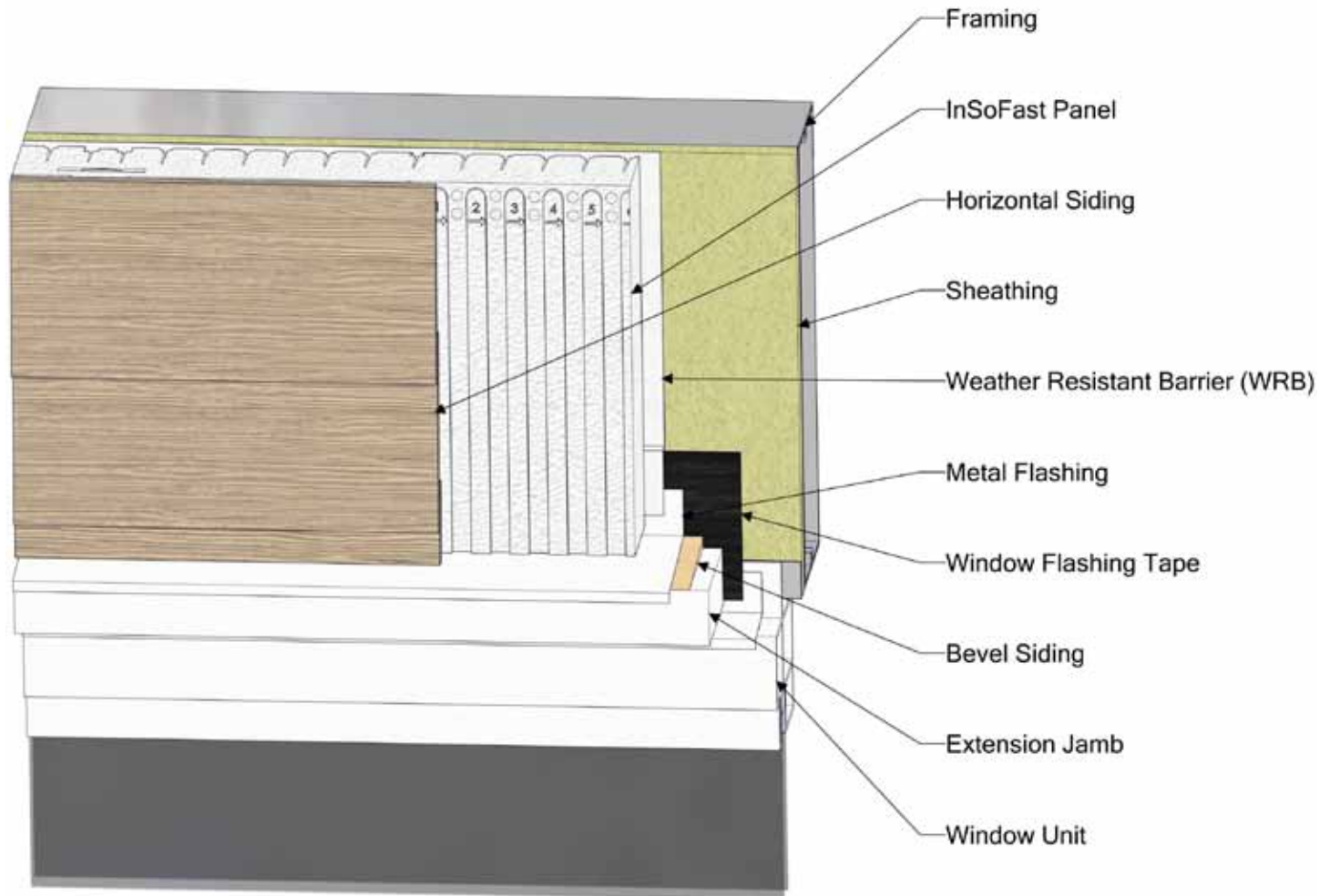


## Inset Window Head Jamb



### InSoFast LLC Limits of Liability and Disclaimer of Warranty:

Because use conditions and applicable laws may differ from one location to another and may change with time, Customer is responsible for determining whether products and the information in this document are appropriate for use and are in compliance with applicable laws and other government enactments. InSoFast LLC assumes no obligation or liability for the information in this document. **NO WARRANTIES ARE GIVEN; ALL IMPLIED WARRANTIES OF MERCHANTABILITY OR FITNESS FOR A PARTICULAR PURPOSE ARE EXPRESSLY EXCLUDED. INSOFAST LLC SHALL NOT BE RESPONSIBLE FOR CONSEQUENTIAL, INDIRECT OR INCIDENTAL DAMAGES (INCLUDING LOSS OF PROFITS) OF ANY KIND.** InSoFast LLC reserves the right to make any changes according to technological progress or further developments and assumes no liability for providing such information and advice including the extent to which such information and advice may relate to existing third party intellectual property rights. Reference to trade names used by other companies is neither a recommendation, nor an endorsement of any product and does not imply that similar products could not be used. It is the responsibility of both the specifier and the purchaser to determine if a product is suitable for its intended use.

## Inset Window Side Jamb

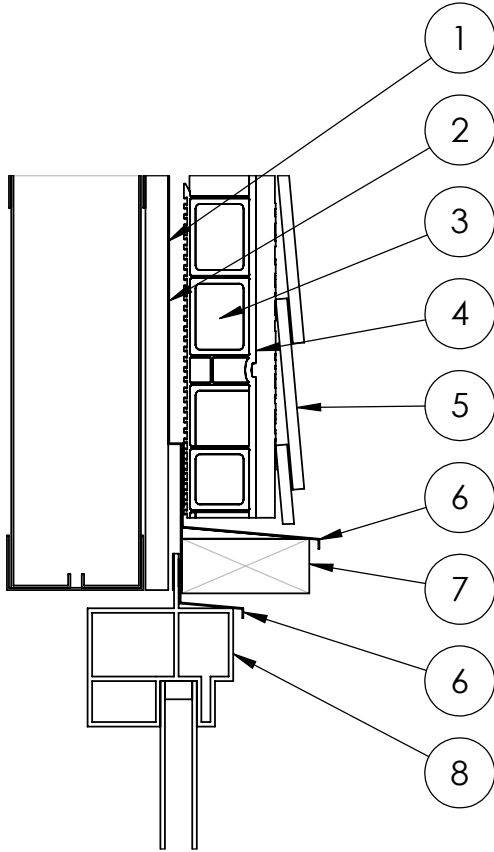


### InSoFast LLC Limits of Liability and Disclaimer of Warranty:

Because use conditions and applicable laws may differ from one location to another and may change with time, Customer is responsible for determining whether products and the information in this document are appropriate for use and are in compliance with applicable laws and other government enactments. InSoFast LLC assumes no obligation or liability for the information in this document. NO WARRANTIES ARE GIVEN; ALL IMPLIED WARRANTIES OF MERCHANTABILITY OR FITNESS FOR A PARTICULAR PURPOSE ARE EXPRESSLY EXCLUDED. INSOFAST LLC SHALL NOT BE RESPONSIBLE FOR CONSEQUENTIAL, INDIRECT OR INCIDENTAL DAMAGES (INCLUDING LOSS OF PROFITS) OF ANY KIND. InSoFast LLC reserves the right to make any changes according to technological progress or further developments and assumes no liability for providing such information and advice including the extent to which such information and advice may relate to existing third party intellectual property rights. Reference to trade names used by other companies is neither a recommendation, nor an endorsement of any product and does not imply that similar products could not be used. It is the responsibility of both the specifier and the purchaser to determine if a product is suitable for its intended use.



**Inset Window Head Jamb Section**



#	Description
1	Sheathing
2	Weather Resistant Barrier (WRB)
3	InSoFast Panel
4	InSoFast Integrated Stud
5	Horizontal Siding
6	Metal Flashing
7	2x Jamb Extension
8	Window Unit

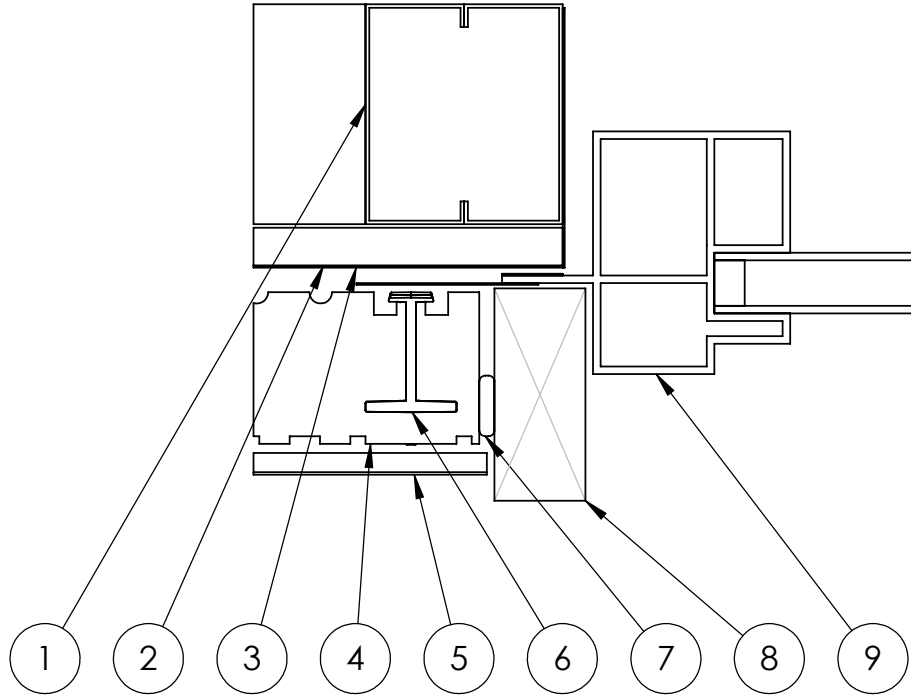
InSoFast LLC Limits of Liability and Disclaimer of Warranty: Because use conditions and applicable laws may differ from one location to another and may change with time, Customer is responsible for determining whether products and the information in this document are appropriate for use and are in compliance with applicable laws and other government enactments. InSoFast LLC assumes no obligation or liability for the information in this document. NO WARRANTIES ARE GIVEN; ALL IMPLIED WARRANTIES OF MERCHANTABILITY OR FITNESS FOR A PARTICULAR PURPOSE ARE EXPRESSLY EXCLUDED. INSOFast LLC SHALL NOT BE RESPONSIBLE FOR CONSEQUENTIAL, INDIRECT OR INCIDENTAL DAMAGES (INCLUDING LOSS OF PROFITS) OF ANY KIND. InSoFast LLC reserves the right to make any changes according to technological progress or further developments and assumes no liability for providing such information and advice including the extent to which such information and advice may relate to existing third party intellectual property rights. Reference to trade names used by other companies is neither a recommendation, nor an endorsement of any product and does not imply that similar products could not be used. It is the responsibility of both the specifier and the purchaser to determine if a product is suitable for its intended use.



Inset Window Head Jamb Section  
 888-501-7899 InSoFast, LLC www.InSoFast.com

Scale: not to scale  
 Date: 4/22/2017  
 Detail #: E-S-H-W-1-02

### Inset Window Horizontal Section



#	Description
1	Framing
2	Sheathing
3	Weather Resistant Barrier (WRB)
4	InSoFast Panel
5	Horizontal Siding
6	InSoFast Integrated Stud
7	Sealant
8	2x Jamb Extension
9	Window Unit

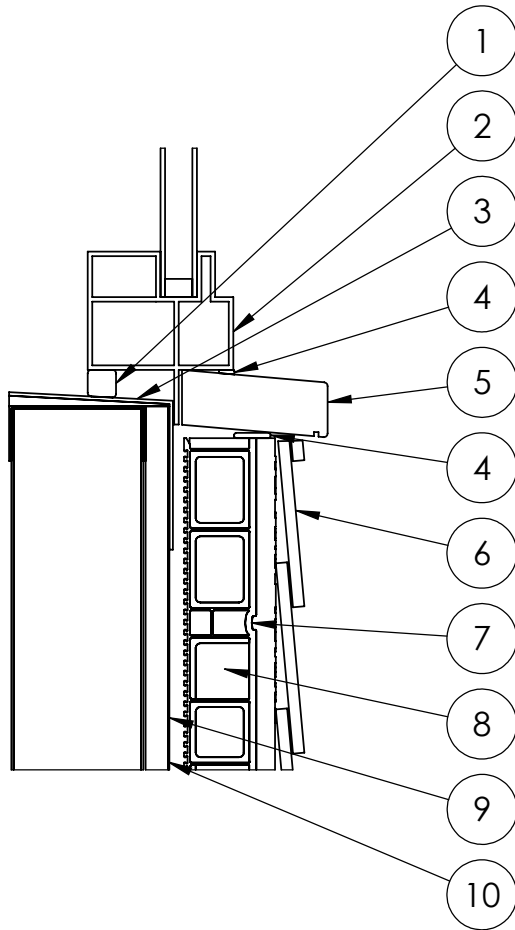
InSoFast LLC Limits of Liability and Disclaimer of Warranty: Because use conditions and applicable laws may differ from one location to another and may change with time, Customer is responsible for determining whether products and the information in this document are appropriate for use and are in compliance with applicable laws and other government enactments. InSoFast LLC assumes no obligation or liability for the information in this document. NO WARRANTIES ARE GIVEN; ALL IMPLIED WARRANTIES OF MERCHANTABILITY OR FITNESS FOR A PARTICULAR PURPOSE ARE EXPRESSLY EXCLUDED. INSOFAST LLC SHALL NOT BE RESPONSIBLE FOR CONSEQUENTIAL, INDIRECT OR INCIDENTAL DAMAGES (INCLUDING LOSS OF PROFITS) OF ANY KIND. InSoFast LLC reserves the right to make any changes according to technological progress or further developments and assumes no liability for providing such information and advice including the extent to which such information and advice may relate to existing third party intellectual property rights. Reference to trade names used by other companies is neither a recommendation, nor an endorsement of any product and does not imply that similar products could not be used. It is the responsibility of both the specifier and the purchaser to determine if a product is suitable for its intended use.



Inset Window Horizontal Section  
 888-501-7899 InSoFast, LLC www.InSoFast.com

Scale: not to scale  
 Date: 4/22/2017  
 Detail #: E-S-H-W-I-01

### Inset Window Sill Section



#	Description
1	Foam Sealant
2	Window Unit
3	Window Pan Flashing
4	Sealant
5	Sill Extension with Drip Kerf
6	Horizontal Siding
7	InSoFast Integrated Stud
8	InSoFast Panel
9	Weather Resistant Barrier (WRB)
10	Sheathing

InSoFast LLC Limits of Liability and Disclaimer of Warranty: Because use conditions and applicable laws may differ from one location to another and may change with time, Customer is responsible for determining whether products and the information in this document are appropriate for use and are in compliance with applicable laws and other government enactments. InSoFast LLC assumes no obligation or liability for the information in this document. NO WARRANTIES ARE GIVEN; ALL IMPLIED WARRANTIES OF MERCHANTABILITY OR FITNESS FOR A PARTICULAR PURPOSE ARE EXPRESSLY EXCLUDED. INSOFAST LLC SHALL NOT BE RESPONSIBLE FOR CONSEQUENTIAL, INDIRECT OR INCIDENTAL DAMAGES (INCLUDING LOSS OF PROFITS) OF ANY KIND. InSoFast LLC reserves the right to make any changes according to technological progress or further developments and assumes no liability for providing such information and advice including the extent to which such information and advice may relate to existing third party intellectual property rights. Reference to trade names used by other companies is neither a recommendation, nor an endorsement of any product and does not imply that similar products could not be used. It is the responsibility of both the specifier and the purchaser to determine if a product is suitable for its intended use.



Inset Window Sill Section  
 888-501-7899 InSoFast, LLC www.InSoFast.com

Scale: not to scale  
 Date: 4/22/2017  
 Detail #: E-S-H-W-1-03